



ETA-Danmark A/S
Göteborg Plads 1
DK-2150 Nordhavn
Tel. +45 72 24 59 00
Fax +45 72 24 59 04
Internet www.etadanmark.dk

Authorized and notified according
to Article 29 of the Regulation (EU)
No 305/2011 of the European
Parliament and of the Council of 9
March 2011

MEMBER OF EOTA



European Technical Assessment ETA-15/0677 of 29/10/2015

General Part

Technical Assessment Body issuing the ETA and designated according to Article 29 of the Regulation (EU) No 305/2011: ETA-Danmark A/S

Trade name of the
construction product:

FLAMRO Variant N - B

Product family to which the
above construction product
belongs:

Fire Stopping and Sealing with penetration seals for
pipes in walls and floors.

Manufacturer:

Flamro Brandschutz- Systeme GmbH
Am Sportplatz 2
DE-56291 Leiningen
Tel. + 49 6746 9410 - 0
Fax +49 6746 9410 - 10
Internet www.flamro.de

Manufacturing plant:

Flamro Brandschutz- Systeme GmbH
Am Sportplatz 2
DE-56291 Leiningen

This European Technical
Assessment contains:

16 pages including 3 annexes which form an integral
part of the document

This European Technical
Assessment is issued in
accordance with Regulation
(EU) No 305/2011, on the
basis of:

Guideline for European technical approval of "Fire
Stopping and Fire Sealing Products", ETAG 026 Part 2:
"Penetration Seals", used as European Assessment
Document (EAD) according to Article 66 Paragraph 3 of
Regulation (EU) No 305/2011.

This version replaces:

-

Translations of this European Technical Assessment in other languages shall fully correspond to the original issued document and should be identified as such.

Communication of this European Technical Assessment, including transmission by electronic means, shall be in full (excepted the confidential Annex(es) referred to above). However, partial reproduction may be made, with the written consent of the issuing Technical Assessment Body. Any partial reproduction has to be identified as such

II SPECIFIC PART OF THE EUROPEAN TECHNICAL ASSESSMENT

1 Technical description of product and intended use

Technical description of the product

The FLAMRO Variant N–B pipe penetration seal, pipe collar with straps for plug fixing or embedding in mortar, gypsum. The FLAMRO Variant N-B pipe penetration seal consists of a metal casing of steel with a minimum thickness of 0,60 mm sufficiently protected against corrosion, and a fire protection lining located inside the housing. The lining consist of a 2 mm thick and 40 mm wide intumescent building material “Roku strip EM” with a density of approx. $1210 \pm 10 \text{ kg/m}^3$.

The collars have an outer diameter of 61,2 mm up to 187,2 mm. The FLAMRO Variant N-B pipe penetration seal is permitted in lightweight partition walls and solid walls with a thickness of at least 100 mm and in solid floors with a thickness of at least 150 mm. The radial clearance between the penetrating plastic pipes – including insulation – and the vertical or horizontal building part closing off the room has to be filled completely with mineral building materials.

Detailed specifications for identification and performance criteria relevant for fire safety with regard to the construction products are given in annexes 1-3.

Specification of the intended use in accordance with the applicable European Assessment Document

The construction products The FLAMRO Variant N–B pipe penetration seal is intended for use as components with a fire protection effect in walls made from concrete, aerated concrete, masonry or light weight partition structures that are subject to requirements related to fire protection. Their fire resistant capability prevents heat transmission and fire spreading in the event of fire.

Within the scope of this ETA, the fire resistance was demonstrated for pipes in penetration seals which consisted of the components listed in table 1.

Table 1 – components of the verified penetration seals

Product type	Trade name
Collar	FLAMRO Variant N–B
Intumescent	Roku strip EM

Pipe penetration seals are used to seal off openings in fire resistant walls, which are penetrated by cables, and serves to preserve the walls' fire resistance in the area of the penetrations.

Detailed information and data on the verified penetration seals are given in Annexes 1-3.

The performances given in Section 3 exclusively relate to this penetration seals (e.g. with respect to the design and arrangement of the components of the penetration seals and the type and position of the services, see annexes 1-3

The verification and assessment methods on which this European Technical Assessment is based lead to the assumption of a working life of at least 10 years for FLAMRO Variant N–B pipe penetration seal.

The indications given on the working life cannot be interpreted as a guarantee given by the manufacturer, but are to be regarded only as a means for choosing the right product in relation to the expected economically reasonable working life of the works.

3 Performance of the product and references to the methods used for its assessment

Characteristic	Assessment of characteristic
3.2 Safety in case of fire (BWR 2)	
Reaction to fire	The collar housing made of steel is classified as Euroclass A1 in accordance with EN 13501-1 The intumescent material “Roku strip EM” is classified as Euroclass E in accordance with EN 13501-1
Resistance to fire	The FLAMRO Variant N–B pipe penetration seal used in penetrations seals as described in annex X in at Installation is permitted in lightweight partition walls and solid walls with a thickness of at least 100 mm and in solid ceilings with a thickness of at least 150 mm is classified as described in annex 3 in accordance with EN 13501-2
3.3 Hygiene, health and the environment (BWR 3)	
Influence on air quality	The product does not contain/release dangerous substances specified in TR 034, dated March 2012. According to ETA-13/0640 for identical product ROKU System EC Endless Collar. The “ROKU® Strip EM” do not contain dangerous substances detailed in Council Directive 67/548/EEC and Regulation (EC) no 1272/2008 above the acceptable limits.
3.7 Sustainable use of natural resources (BWR 7)	
	No Performance Determined

*) See additional information in section 3.9 – 3.12.

In addition to the specific clauses relating to dangerous substances contained in this European technical Assessment, there may be other requirements applicable to the products falling within its scope (e.g. transposed European legislation and national laws, regulations and administrative provisions). In order to meet the provisions of the Construction Products Regulation, these requirements need also to be complied with, when and where they apply.

3.9 General aspects

The verification of durability is part of testing the essential characteristics. The FLAMRO Variant N–B pipe penetration seal is intended for use at temperatures below 0 °C and with exposure to UV, but with no exposure to rain, and can therefore – according to ETAG 026-Part 2 clause 2.4.12.1.3.3 – be categorized as Type Y1. Since the requirements for Type Y1 are met, also the requirements for Type Y2, Z1 and Z2 are fulfilled.

Although a penetration seal is intended for indoor applications only, the construction process may result in it being subjected to more exposed conditions for a period before the building is closed. For this case provisions shall be made to protect temporarily exposed penetration seals according to the ETA-holder’s installation instructions.

4 Assessment and verification of constancy of performance (AVCP)

4.1 AVCP system

According to the decision 1999/454/EC of the European Commission, as amended by 2001/596/EC, the system(s) of assessment and verification of constancy of performance (see Annex V to Regulation (EU) No 305/2011) is 1.

5 Technical details necessary for the implementation of the AVCP system, as foreseen in the applicable EAD

Technical details necessary for the implementation of the AVCP system are laid down in the control plan deposited at ETA-Danmark

Issued in Copenhagen on 2015-10-29 by



Thomas Bruun

Managing Director, ETA-Danmark

Annex 1

Product details and definitions

Product and performance of the FLAMRO Variant N–B pipe penetration seal system and accessory components:



Product and performance of the ROKU strip EM:

Property	Parameter	Method
Weight loss on heating	52-62% (temperature 550 °C, 30 minutes)	TR 024 clause 3.1.8
Dimensions(thickness of the sheet)	2 mm ± 0,2mm	TR 024 clause 3.1.2
Density	1,02 -1,42 g/cm ³ (thickness 2 mm)	TR 024 clause 3.1.4
Expansion ratio	12-22,5 times	TR 024 clause 3.1.11
Expansion pressure	> 0,6 N/mm ²	TR 024 clause 3.1.12

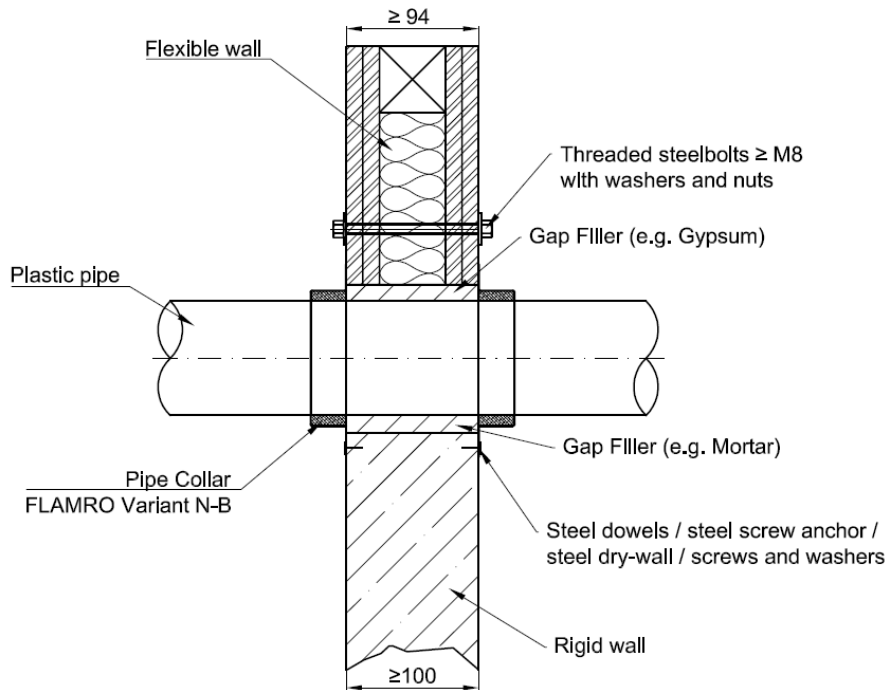
Product and performance of the FLAMRO Variant N–B pipe penetration seal system:

Manufacturer	Description
Flamro Brandschutz- Systeme GmbH Am Sportplatz 2 DE-56291 Leiningen	FLAMRO Variant N–B pipe penetration seal system. Pipe collar with straps for plug fixing or embedding in gypsum, mortar.

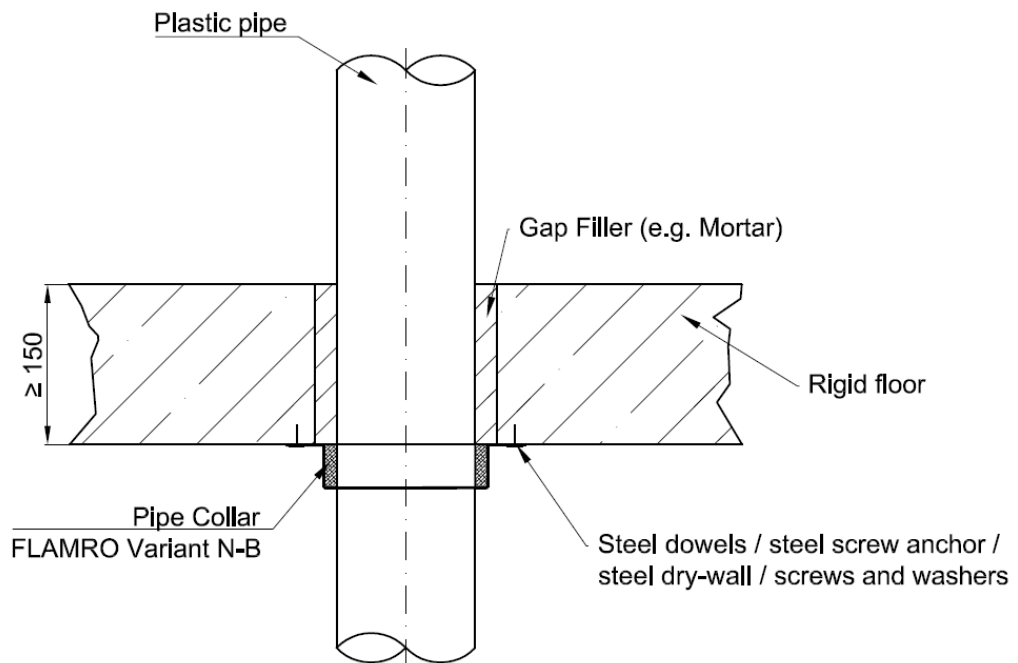
Annex 2

Detailed information and description of the test conditions under which the fire resistance performance was determined for the FLAMRO Variant N-B pipe penetration seal system

Penetration of pipes, wall installation - section view



Penetration of pipes, floor installation - section view



Annex 3

Description of the installations for the confirmation of fire resistance of penetration seal performance.

The below applies to the tested seals as indicated in Annex 1 and/or Annex 2 for **100 mm light weight wall** construction with a standard value for fire resistance of 90 min according to EN 1366-3 clause 7.2.2.1.2.

Wall penetrations for pipe material PVC-U . Insulation without.									
Pipe ϕ (mm)	Wall thickness (mm)	Numbers of layers "Roku strip EM"	Maximum achieved classification		Admissible pipe end configuration				Admissible collar lining
			E = Integrity and I = Insulation	E = Integrity	C/C	U/C	C/U	U/U	
≤ 50	1,8 - 5,6	2x2	EI 120 - U/C	E 120 - U/C	X	X			x
$> 50 - \leq 75$	1,8 - 8,4	2x3	EI 120 - U/C	E 120 - U/C	X	X			x
$> 75 - \leq 110$	1,8-12,3	2x4	EI 120 - U/C	E 120 - U/C	X	X			x
$> 110 - \leq 125$	2,2 - 12,2	2x5	EI 120 - U/C	E 120 - U/C	X	X			x
≤ 160	3,2-11,9	2x6	EI 120 - U/C	E 120 - U/C	X	X			x

Wall penetrations for pipe material PE . Insulation without.									
Pipe ϕ (mm)	Wall thickness (mm)	Numbers of layers "Roku strip EM"	Maximum achieved classification		Admissible pipe end configuration				Admissible collar lining
			E = Integrity and I = Insulation	E = Integrity	C/C	U/C	C/U	U/U	
≤ 50	1,8 - 4,6	2x2	EI 120 - U/C	E 120 - U/C	X	X			x
$> 50 - \leq 75$	1,8 - 8,4	2x3	EI 120 - U/C	E 120 - U/C	X	X			x
$> 75 - \leq 110$	2,7-10,0	2x4	EI 120 - U/C	E 120 - U/C	X	X			x

Wall penetrations for pipe material PP . Insulation without.									
Pipe ϕ (mm)	Wall thickness (mm)	Numbers of layers "Roku strip EM"	Maximum achieved classification		Admissible pipe end configuration				Admissible collar lining
			E = Integrity and I = Insulation	E = Integrity	C/C	U/C	C/U	U/U	
≤ 50	1,8 - 4,6	2x2	EI 120 - U/C	E 120 - U/C	X	X			x
$> 50 - \leq 75$	1,8 - 8,4	2x3	EI 120 - U/C	E 120 - U/C	X	X			x
$> 75 - \leq 110$	2,7-10,0	2x4	EI 120 - U/C	E 120 - U/C	X	X			x
≤ 125	3,9-12,2	2x5	EI 90 - U/C	E 90 - U/C	X	X			x
≤ 160	$> 4,0-14,6$	2x6	EI 90 - U/C	E 90 - U/C	X	X			x

Wall penetrations for pipe material Blue Power . Insulation without.									
Pipe ϕ (mm)	Wall thickness (mm)	Numbers of layers "Roku strip EM"	Maximum achieved classification		Admissible pipe end configuration				Admissible collar lining
			E = Integrity and I = Insulation	E = Integrity	C/C	U/C	C/U	U/U	
≤ 50	1,8	2x2	EI 120 - U/C	E 120 - U/C	X	X			x
≤ 75	2,5	2x3	EI 120 - U/C	E 120 - U/C	X	X			x
≤ 110	3,4	2x4	EI 120 - U/C	E 120 - U/C	X	X			x

Wall penetrations for pipe material Wavin SITECH . Insulation without.									
Pipe ϕ (mm)	Wall thickness (mm)	Numbers of layers "Roku strip EM"	Maximum achieved classification		Admissible pipe end configuration				Admissible collar lining
			E = Integrity and I = Insulation	E = Integrity	C/C	U/C	C/U	U/U	
≤ 50	2,0	2x2	EI 120 - U/C	E 120 - U/C	X	X			x
≤ 75	2,6	2x3	EI 90 - U/C	E 120 - U/C	X	X			x
≤ 110	3,6	2x4	EI 90 - U/C	E 120 - U/C	X	X			x

Wall penetrations for pipe material aquatherm green pipe MS . Insulation without.									
Pipe ϕ (mm)	Wall thickness (mm)	Numbers of layers "Roku strip EM"	Maximum achieved classification		Admissible pipe end configuration				Admissible collar lining
			E = Integrity and I = Insulation	E = Integrity	C/C	U/C	C/U	U/U	
≤ 16	2,2	2x2	EI 120 - U/C	E 120 - U/C	X	X			x
≤ 50	6,9	2x2	EI 120 - U/C	E 120 - U/C	X	X			x
≤ 75	10,4	2x3	EI 120 - U/C	E 120 - U/C	X	X			x
≤ 110	15,2	2x4	EI 120 - U/C	E 120 - U/C	X	X			x

Also covered pipe diameter (mm) / wall thickness (mm)

20-2,8 / 25-3,5 / 32-4,5 / 40-5,6 / 63-8,7 / 90-12,5/

Wall penetrations for pipe material Geberit Silent PP . Insulation without.									
Pipe \varnothing (mm)	Wall thickness (mm)	Numbers of layers "Roku strip EM"	Maximum achieved classification		Admissible pipe end configuration				Admissible collar lining
			E = Integrity and I = Insulation	E = Integrity	C/C	U/C	C/U	U/U	
≤ 50	2,0	2x2	EI 120 - U/C	E 120 - U/C	X	X			x
≤ 75	2,6	2x3	EI 90 - U/C	E 120 - U/C	X	X			x
≤ 110	3,6	2x4	EI 90 - U/C	E 120 - U/C	X	X			x

Wall penetrations for pipe material POLO-KAL NG . Insulation without.									
Pipe \varnothing (mm)	Wall thickness (mm)	Numbers of layers "Roku strip EM"	Maximum achieved classification		Admissible pipe end configuration				Admissible collar lining
			E = Integrity and I = Insulation	E = Integrity	C/C	U/C	C/U	U/U	
≤ 50	2,0	2x2	EI 120 - U/C	E 120 - U/C	X	X			x
≤ 75	2,6	2x3	EI 90 - U/C	E 120 - U/C	X	X			x
≤ 110	3,4	2x4	EI 90 - U/C	E 120 - U/C	X	X			x
≤ 125	3,9	2x5	EI 120 - U/C	E 120 - U/C	X	X			x
≤ 160	4,9	2x6	EI 120 - U/C	E 120 - U/C	X	X			x

Wall penetrations for pipe material Rehau Raupiano Plus . Insulation without.									
Pipe \varnothing (mm)	Wall thickness (mm)	Numbers of layers "Roku strip EM"	Maximum achieved classification		Admissible pipe end configuration				Admissible collar lining
			E = Integrity and I = Insulation	E = Integrity	C/C	U/C	C/U	U/U	
≤ 50	1,8	2x2	EI 120 - U/C	E 120 - U/C	X	X			x
≤ 75	1,9	2x3	EI 120 - U/C	E 120 - U/C	X	X			x
≤ 110	2,7	2x4	EI 120 - U/C	E 120 - U/C	X	X			x
≤ 125	3,1	2x5	EI 120 - U/C	E 120 - U/C	X	X			x
≤ 160	3,6	2x6	EI 120 - U/C	E 120 - U/C	X	X			x

Wall penetrations for pipe material Triplus 3 Schicht-Schallschutzrohr . Insulation without.									
Pipe \varnothing (mm)	Wall thickness (mm)	Numbers of layers "Roku strip EM"	Maximum achieved classification		Admissible pipe end configuration				Admissible collar lining
			E = Integrity and I = Insulation	E = Integrity	C/C	U/C	C/U	U/U	
≤ 40	1,8	2x2	EI 120 - U/C	E 120 - U/C	X	X			x
≤ 75	2,5	2x3	EI 120 - U/C	E 120 - U/C	X	X			x
≤ 90	3,1	2x4	EI 120 - U/C	E 120 - U/C	X	X			x

The classification for the wall penetrations are declared under the following conditions:

<p>Field of application (Chapter 5.1 classification report)</p>	<p>Installation in walls: At least 100 mm thick standard lightweight wall construction with a standard value for fire resistance of 90 minutes according to EN1366-3. The above mentioned pipe penetration seals may be mounted into all lightweight wall constructions of same fire resistance classification provided that:</p> <ul style="list-style-type: none"> • The construction is classified according to EN 13501-2 • The construction has a total thickness which is not less than the minimum thickness of the standard lightweight wall of 94-100 mm, that has been used in the test. • This regulation is not valid for pipe closure systems which are arranged within the supporting construction. In case of higher thickness of the supporting construction the length of the penetration seal has to be increased by the same amount as the increased amount of wall. The distance to the surface of the supporting construction remain the same on both sides. • The number of panel layers is ≥ 2 and the total thickness of the panel layer is ≥ 25 when no soffit covering is used. • Lightweight construction walls with timber stud frame when the number of panel layers is ≥ 2 and the total thickness of the panel layer is ≥ 25. No part of the penetration seal is allowed to be closer than 100 mm to a timber stud. The cavity between penetration seal and timber stud is closed by using 100 mm insulation classified as A1 or A2 according to EN 13501-1 which is put into the gap between seal and stud.
	<p>The inside surface of the opening has to be equipped with a lining.</p> <p>Walls made of concrete, aerated concrete or masonry with a wall thickness of ≥ 100</p> <p>The pipe penetration seals are only allowed to be designed as single penetration seals.</p> <p>The pipes are only allowed to be put through the penetration seal in a right angle.</p> <p>The first support (service support constructions) of the pipes both-sided of the separating element have to be arranged in a distance of ≤ 650 mm. The support must be non-combustible, according to EN 13501-1 Euro class A.</p> <p>The filling of the remaining gap (1-3 cm gap width) has to be made in the thickness of the building element with gypsum/gypsum filling compound.</p>
<p>Distances</p>	<p>The minimum distance which have to be kept are:</p> <p>Distance between two single penetration seals of non-insulated pipes (distance from the pipe wall) ≥ 100 mm.</p> <p>Distance between two single penetration seals of insulated pipes (distance from the insulation) ≥ 100 mm</p>

The below applies to the tested seals as indicated in Annex 1 and/or Annex 2 for **floors made of concrete or aerated concrete with floor thickness of ≥ 150 mm and a density of ≥ 550 kg/m³** according to EN1366-3, clause 13.2.1

Floor penetrations for pipe material PVC-U . Insulation without.									
Pipe \varnothing (mm)	Wall thickness (mm)	Numbers of layers "Roku strip EM"	Maximum achieved classification		Admissible pipe end configuration				Admissible collar lining
			E = Integrity and I = Insulation	E = Integrity	C/C	U/C	C/U	U/U	
≤ 50	1,8 - 5,6	2	EI 240 - U/C	E 240 - U/C	X	X			x
$> 50 - \leq 75$	1,8 - 8,4	3	EI 240 - U/C	E 240 - U/C	X	X			x
$> 75 - \leq 110$	1,8-12,3	4	EI 240 - U/C	E 240 - U/C	X	X			x
$> 110 - \leq 125$	2,2 - 12,1	5	EI 120 - U/C	E 120 - U/C	X	X			x
≤ 125	12,1	5	EI 240 - U/C	E 240 - U/C	X	X			x
≤ 160	3,2-11,9	6	EI 120 - U/C	E 120 - U/C	X	X			x
≤ 160	11,9	6	EI 240 - U/C	E 240 - U/C	X	X			x

Floor penetrations for pipe material PE . Insulation without.									
Pipe \varnothing (mm)	Wall thickness (mm)	Numbers of layers "Roku strip EM"	Maximum achieved classification		Admissible pipe end configuration				Admissible collar lining
			E = Integrity and I = Insulation	E = Integrity	C/C	U/C	C/U	U/U	
≤ 50	1,8 - 4,6	2	EI 240 - U/C	E 240 - U/C	X	X			x
$> 50 - \leq 75$	1,8 - 8,4	3	EI 240 - U/C	E 240 - U/C	X	X			x
$> 75 - \leq 110$	2,7	4	EI 240 - U/C	E 240 - U/C	X	X			x
$> 75 - \leq 110$	$> 2,7-10,0$	4	EI 180 - U/C	E 240 - U/C	X	X			x
≤ 125	3,1	5	EI 240 - U/C	E 240 - U/C	X	X			x
≤ 125	$> 3,1-11,4$	5	EI 120 - U/C	E 240 - U/C	X	X			x
≤ 160	4	6	EI 240 - U/C	E 240 - U/C	X	X			x
≤ 160	$> 4,0-14,6$	6	EI 120 - U/C	E 240 - U/C	X	X			x

Floor penetrations for pipe material PP . Insulation without.									
Pipe ϕ (mm)	Wall thickness (mm)	Numbers of layers "Roku strip EM"	Maximum achieved classification		Admissible pipe end configuration				Admissible collar lining
			E = Integrity and I = Insulation	E = Integrity	C/C	U/C	C/U	U/U	
≤ 50	1,8 - 4,6	2	EI 240 - U/C	E 240 - U/C	X	X			x
$> 50 - \leq 75$	1,8 - 8,4	3	EI 240 - U/C	E 240 - U/C	X	X			x
$> 75 - \leq 110$	2,7	4	EI 240 - U/C	E 240 - U/C	X	X			x
$> 75 - \leq 110$	$> 2,7-10$	4	EI 180 - U/C	E 180 - U/C	X	X			x

Floor penetrations for pipe material Uponor MLC Rohr "weiß" . Insulation without.									
Pipe ϕ (mm)	Wall thickness (mm)	Numbers of layers "Roku strip EM"	Maximum achieved classification		Admissible pipe end configuration				Admissible collar lining
			E = Integrity and I = Insulation	E = Integrity	C/C	U/C	C/U	U/U	
≤ 50	4,5	2	EI 120 - U/C	E 120 - U/C	X	X			x
≤ 75	7,5	3	EI 90 - U/C	E 90 - U/C	X	X			x
≤ 110	10	4	EI 90 - U/C	E 90 - U/C	X	X			x
Also covered pipe diameter (mm) / wall thicknesses (mm)									
(14-18)x2,0 / 20x2,25 / 25x2,5 / 32x3,0 / 40 x 4,0 / 63x6,0 / 90x8,5									

Floor penetrations for pipe material aquatherm green pipe MS . Insulation without.									
Pipe ϕ (mm)	Wall thickness (mm)	Numbers of layers "Roku strip EM"	Maximum achieved classification		Admissible pipe end configuration				Admissible collar lining
			E = Integrity and I = Insulation	E = Integrity	C/C	U/C	C/U	U/U	
≤ 16	2,2	2	EI 120 - U/C	E 120 - U/C	X	X			x
≤ 50	6,9	2	EI 120 - U/C	E 120 - U/C	X	X			x
≤ 75	10,4	3	EI 120 - U/C	E 120 - U/C	X	X			x
≤ 110	15,2	4	EI 120 - U/C	E 120 - U/C	X	X			x
Also covered pipe diameter (mm) / wall thicknesses (mm)									
20-2,8 / 25-3,5 / 32-4,5 / 40-5,6 / 63-8,7 / 90-12,5									

Floor penetrations for pipe material Wavin SITECH . Insulation without.									
Pipe \varnothing (mm)	Wall thickness (mm)	Numbers of layers "Roku strip EM"	Maximum achieved classification		Admissible pipe end configuration				Admissible collar lining
			E = Integrity and I = Insulation	E = Integrity	C/C	U/C	C/U	U/U	
≤ 50	2	2	EI 120 - U/C	E 120 - U/C	X	X			x
≤ 75	2,6	3	EI 120 - U/C	E 120 - U/C	X	X			x
≤ 110	3,6	4	EI 120 - U/C	E 120 - U/C	X	X			x
≤ 125	4,2	5	EI 60 - U/C	E 60 - U/C	X	X			x
≤ 160	5,3	6	EI 60 - U/C	E 60 - U/C	X	X			x

Floor penetrations for pipe material Geberit Silent PP . Insulation without.									
Pipe \varnothing (mm)	Wall thickness (mm)	Numbers of layers "Roku strip EM"	Maximum achieved classification		Admissible pipe end configuration				Admissible collar lining
			E = Integrity and I = Insulation	E = Integrity	C/C	U/C	C/U	U/U	
≤ 50	2	2	EI 120 - U/C	E 120 - U/C	X	X			x
≤ 75	2,6	3	EI 120 - U/C	E 120 - U/C	X	X			x
≤ 110	3,6	4	EI 120 - U/C	E 120 - U/C	X	X			x

Floor penetrations for pipe material POLO-KAL NG . Insulation without.									
Pipe \varnothing (mm)	Wall thickness (mm)	Numbers of layers "Roku strip EM"	Maximum achieved classification		Admissible pipe end configuration				Admissible collar lining
			E = Integrity and I = Insulation	E = Integrity	C/C	U/C	C/U	U/U	
≤ 50	2	2	EI 90 - U/C	E 120 - U/C	X	X			x
≤ 75	2,6	3	EI 90 - U/C	E 120 - U/C	X	X			x
≤ 110	3,6	4	EI 120 - U/C	E 120 - U/C	X	X			x

The classification is declared under the following conditions:

Field of application (Chapter 5.2 classification report)	<p>Floors made of concrete or aerated concrete with floor thickness of ≥ 150 mm and a density of ≥ 550 kg/m³ according to EN1366-3, clause 13.2.1</p> <p>The filling of the remaining gap (1-5 cm gap width) has to be carried out by using a casting compound with mineral construction material (class A1 or A2) such as cement mortar, gypsum etc.</p>
Distances	<p>The minimum distance which have to be kept are:</p> <p>Distance between two single penetration seals of non-insulated pipes (distance from the pipe wall) ≥ 100 mm.</p> <p>Distance between two single penetration seals of insulated pipes (distance from the insulation) ≥ 100 mm</p>